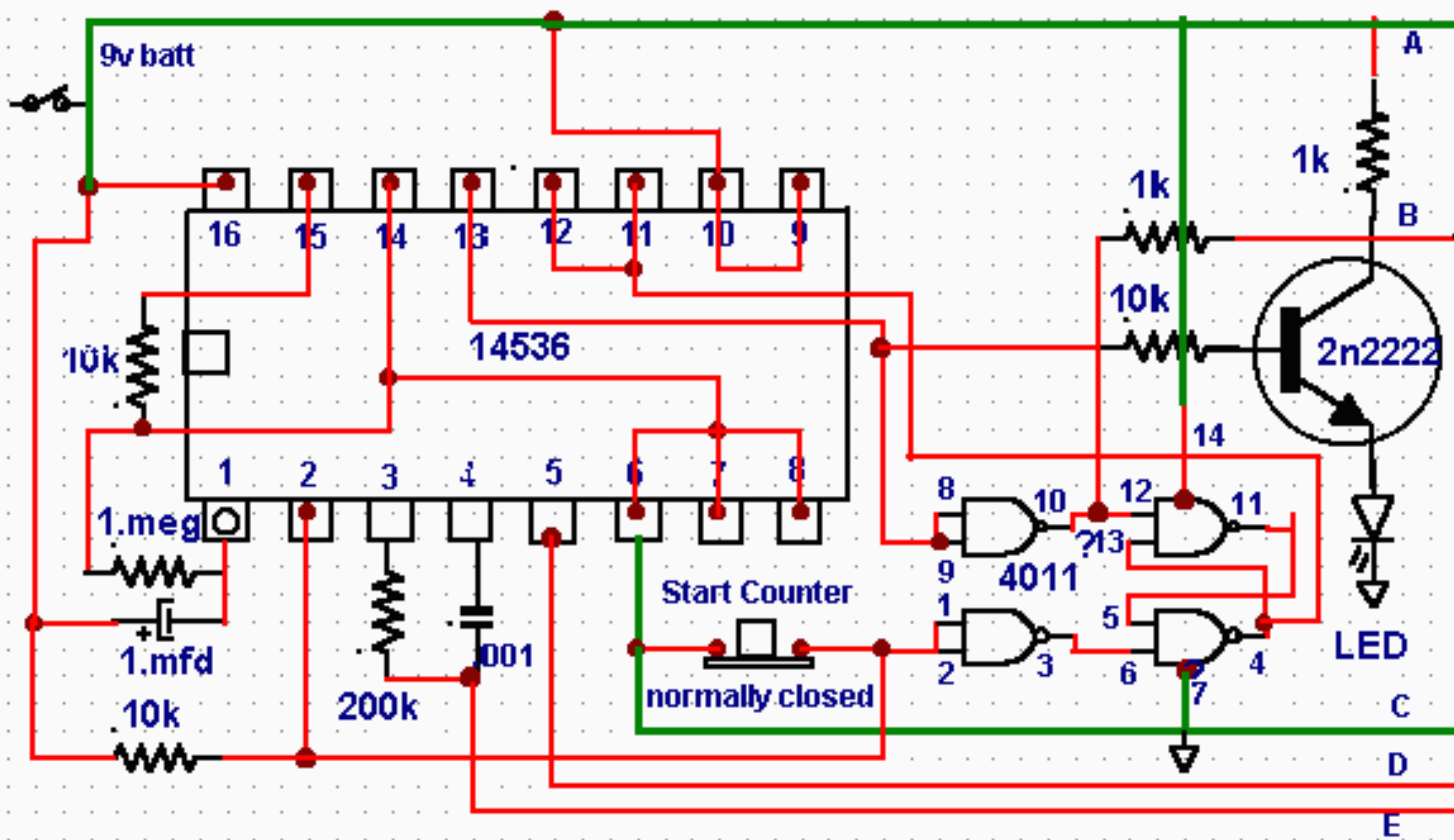




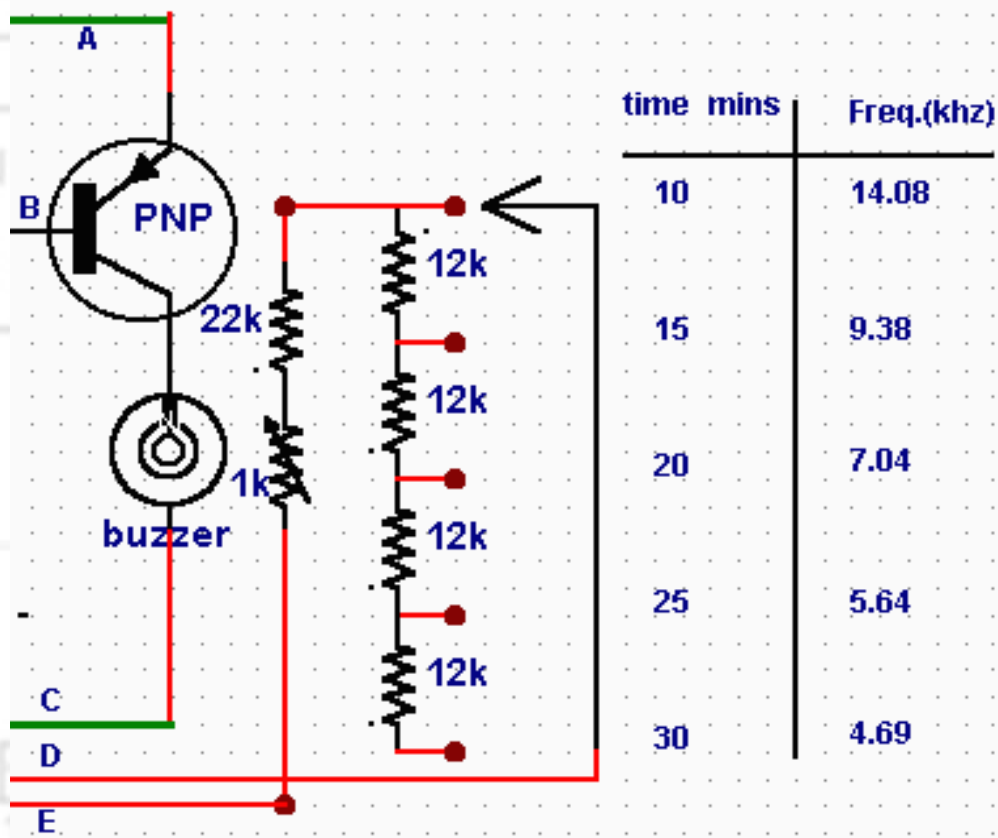
## Handy Dandy #7 Little Circuits

I like to roast my own fresh peanuts, I require exactly 15 mins in the oven at 350°F, the same goes for my muffins for 20 mins and a few other short periods. It has to be just right but I'll be darned if I can set up that oven timer properly. I was getting fed-up with overdone peanuts so I found this dandy little circuit and added to it and changed a few things stuffed it in a little box and take it with me to watch TV while my peanuts are in the oven. It beats paying \$35 to \$50 for an alarm that I can't hear anyway. I split the schematic in two parts to fit the page. I think it is self explanatory and easy to read. See #8 for details on freq. adjustments

### Timer -Alarm (A)



### Timer -Alarm (B)



time mins	Freq.(khz)
10	14.08
15	9.38
20	7.04
25	5.64
30	4.69

[Home](#)

Questions? Email me at [roma60@home.com](mailto:roma60@home.com)

© Laurier Gendron, Burnaby, B.C., Canada. 1998